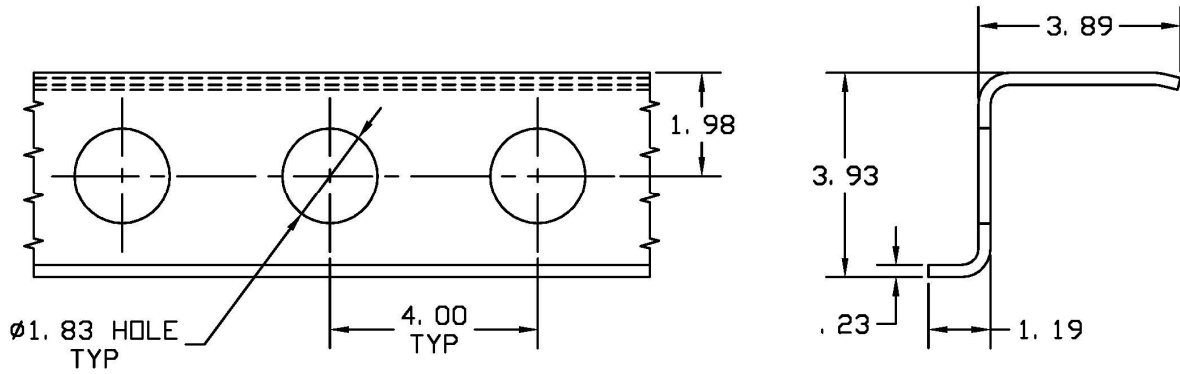


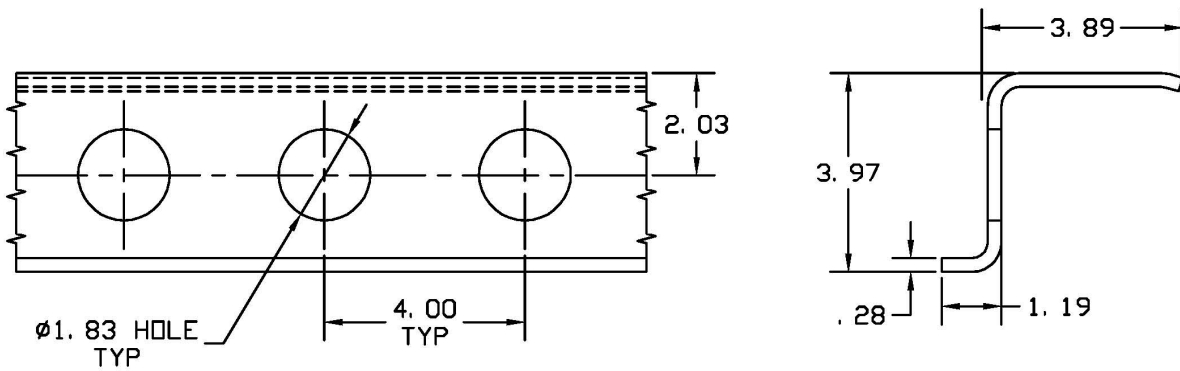
HUTCHENS INDUSTRIES INC.

BODY RAIL IDENTIFICATION



PART NO.	APPLICATION	COMMENTS
12713-XX*	8800, 98XX, 8900, 8901, & SERIES 10	MAY BE INTERCHANGED WITH THE 16816 USE LOCATOR BAR 11642

*DASH NO. DETERMINED BY RAIL LENGTH



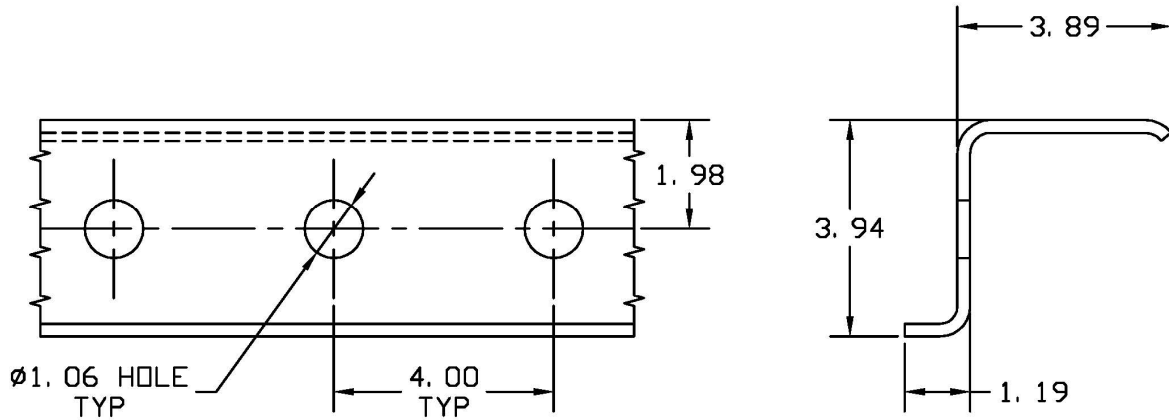
PART NO.	APPLICATION	COMMENTS
16816-XX*	8800, 98XX, 8900, 8901, & SERIES 10	MAY BE INTERCHANGED WITH THE 12713 USE LOCATOR BAR 11642

*DASH NO. DETERMINED BY RAIL LENGTH

BODY RAIL IDENTIFICATION	ER: 2008118	REV: B	SHEET 1 OF 8
		DATE: 03/22/12	
	PROJ: 20089037	REV ER: 2012056	DRAWING NO. 25040

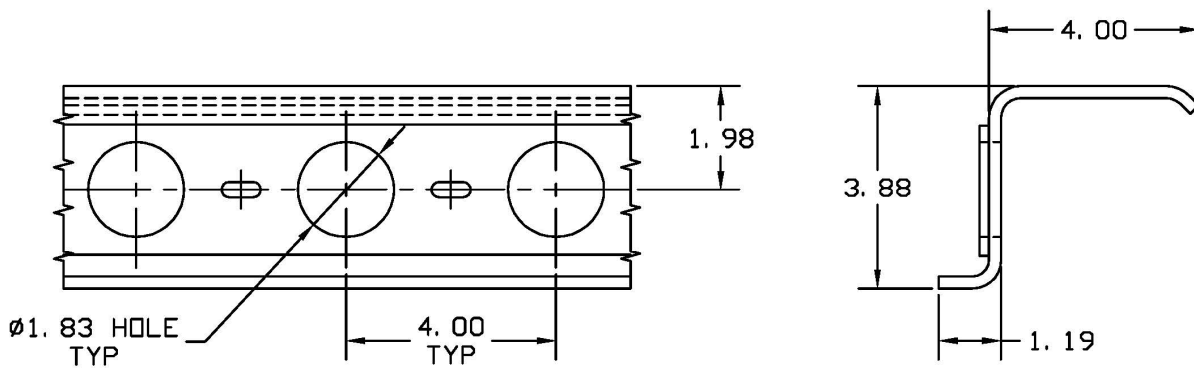
HUTCHENS INDUSTRIES INC.

BODY RAIL IDENTIFICATION



PART NO.	APPLICATION	COMMENTS
16718-XX*	9300, & 94XX BOLT IN VAN SLIDES	

*DASH NO. DETERMINED BY RAIL LENGTH

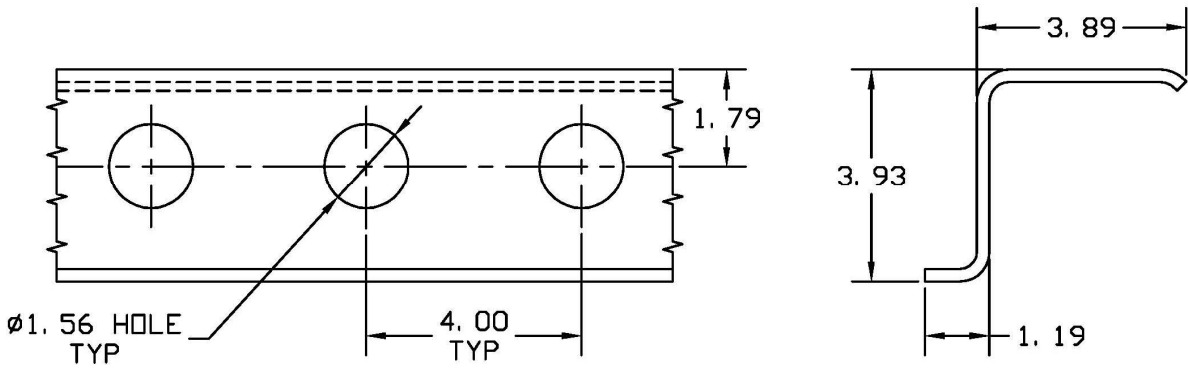


PART NO.	APPLICATION	COMMENTS
12714	8800 & 8900	OBS. USE 12713

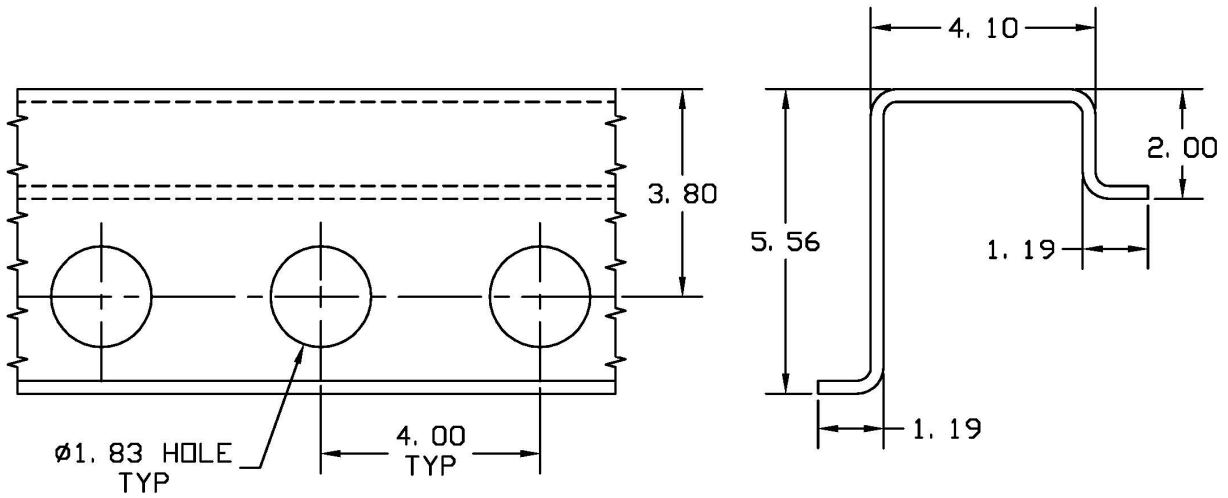
BODY RAIL IDENTIFICATION	ER: 2008118	REV: B	SHEET 2 OF 8
		DATE: 03/22/12	
	PROJ: 20089037	REV ER: 2012056	DRAWING NO. 25040

HUTCHENS INDUSTRIES INC.

BODY RAIL IDENTIFICATION



PART NO.	APPLICATION	COMMENTS
19940	9851, & 9861	OBS. TTMA RAIL



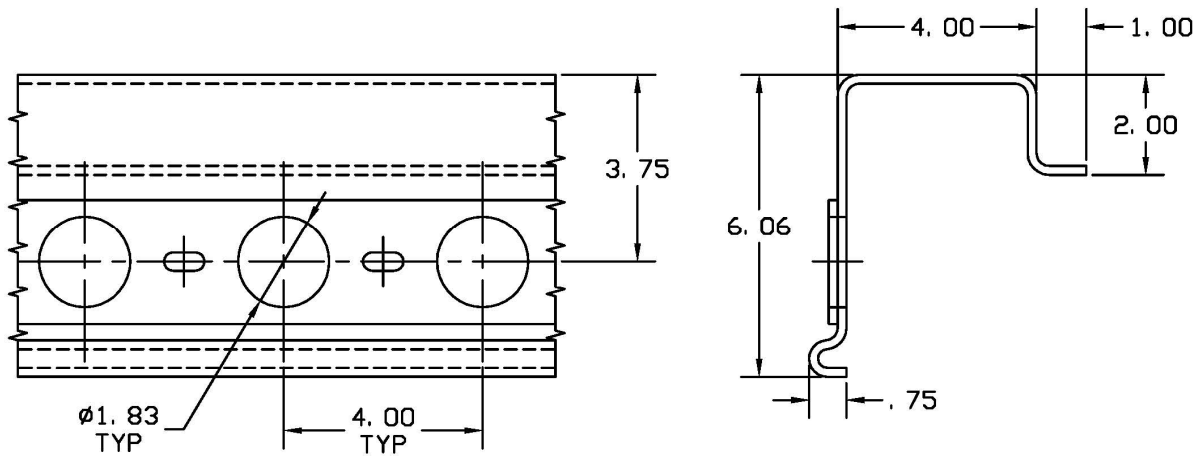
PART NO.	APPLICATION	COMMENTS
18150-XX*	8200, 8300	REPLACES 11645, & 3055 USE LOCATOR BAR 11642

*DASH NO. DETERMINED BY RAIL LENGTH

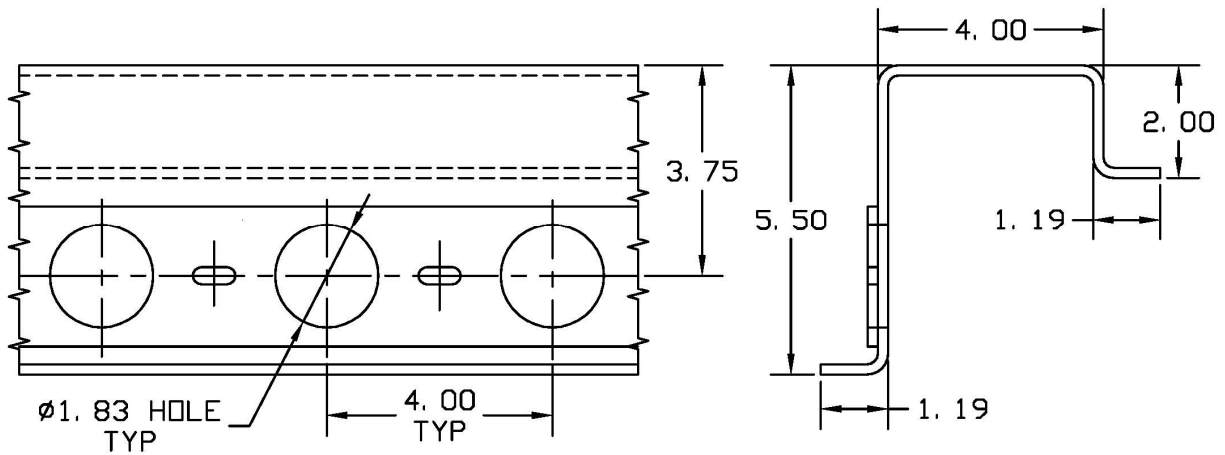
<h3>BODY RAIL IDENTIFICATION</h3>	ER: 2008118	REV: B	SHEET 3 OF 8	
		DATE: 03/22/12		
	PROJ: 20089037	REV ER: 2012056	DRAWING NO. 25040	

HUTCHENS INDUSTRIES INC.

BODY RAIL IDENTIFICATION



PART NO.	APPLICATION	COMMENTS
11645	8200 & 8300	OBS. USE 18150

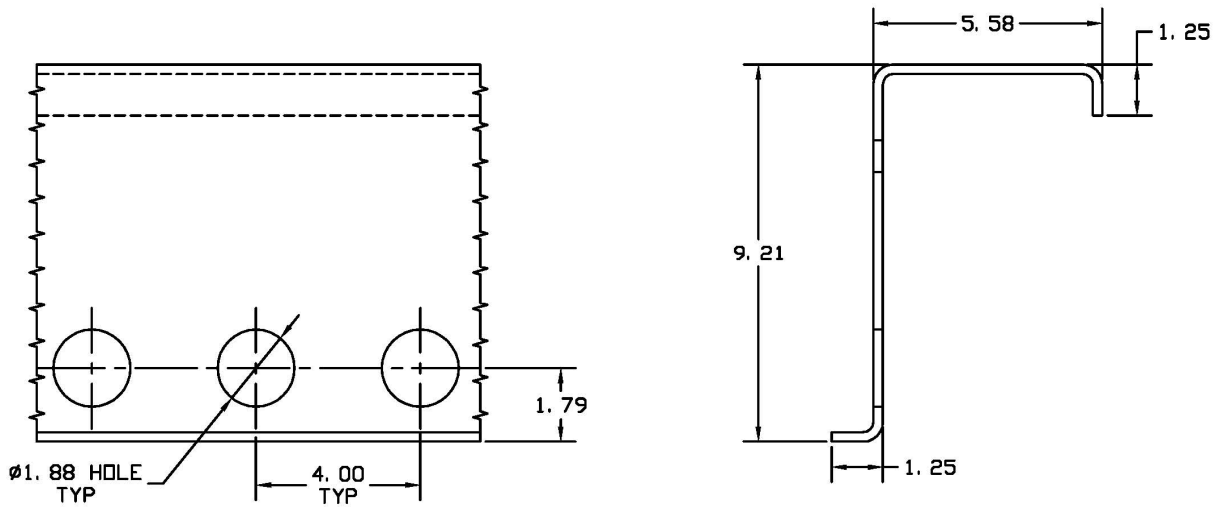


PART NO.	APPLICATION	COMMENTS
3055	8000, 8200, & 8300	OBS. USE 18150

BODY RAIL IDENTIFICATION	ER: 2008118	REV: B	SHEET 4 OF 8
	PROJ: 20089037	DATE: 03/22/12	
		REV ER: 2012056	

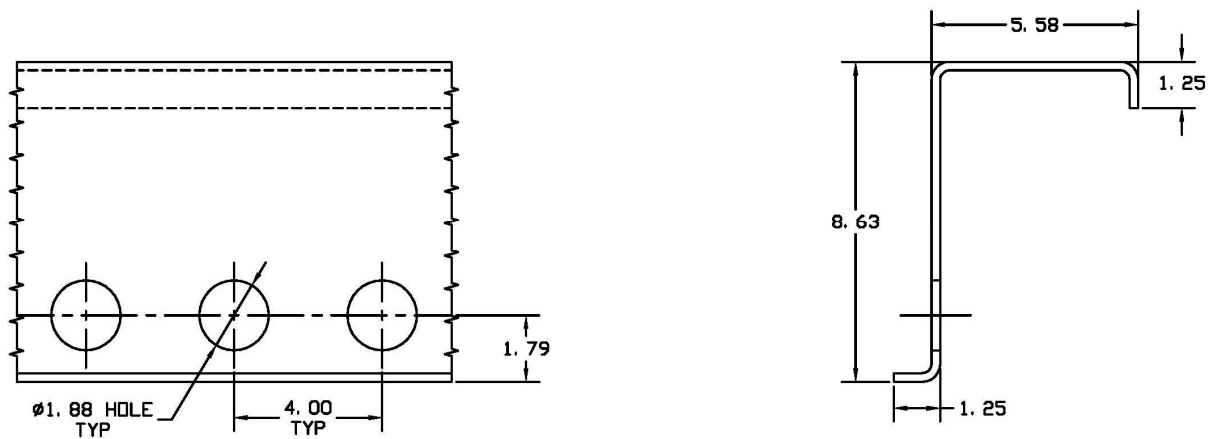
HUTCHENS INDUSTRIES INC.

BODY RAIL IDENTIFICATION



PART NO.	APPLICATION	COMMENTS
23324-XX*	11.00 RAMP SERIES	USE LOCATOR BAR 11642

*DASH NO. DETERMINED BY RAIL LENGTH

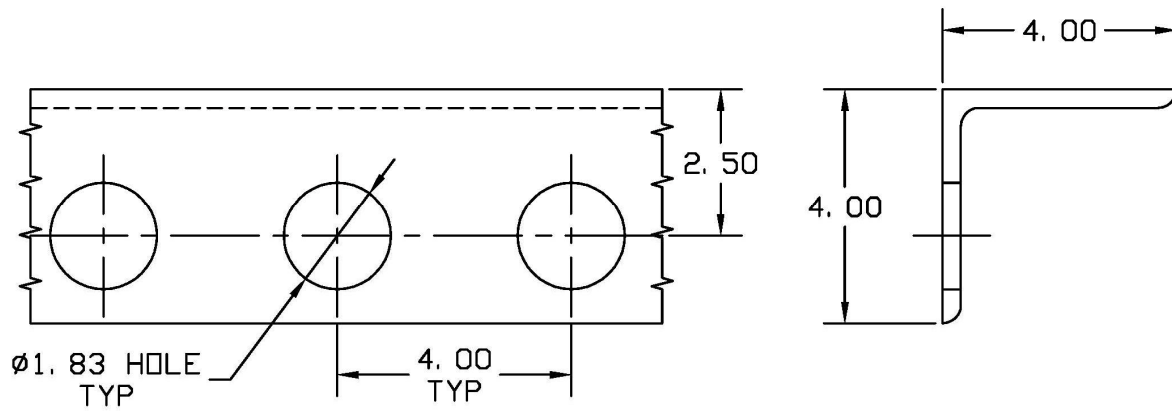


PART NO.	APPLICATION	COMMENTS
21382	10.5 HI RAMP SERIES	OBSOLETE

BODY RAIL IDENTIFICATION	ER: 2008118	REV: B	SHEET 5 OF 8
		DATE: 03/22/12	
	PROJ: 20089037	REV ER: 2012056	DRAWING NO. 25040

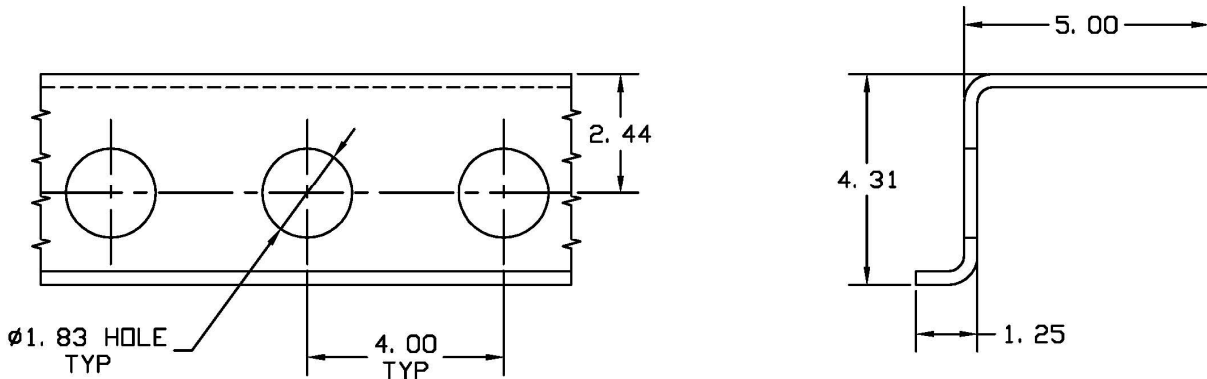
HUTCHENS INDUSTRIES INC.

BODY RAIL IDENTIFICATION



PART NO.	APPLICATION	COMMENTS
11831-XX*	11700 FLAT BED W/ INBOARD HOLD DOWNS	USE LOCATOR BAR 11641

*DASH NO. DETERMINED BY RAIL LENGTH



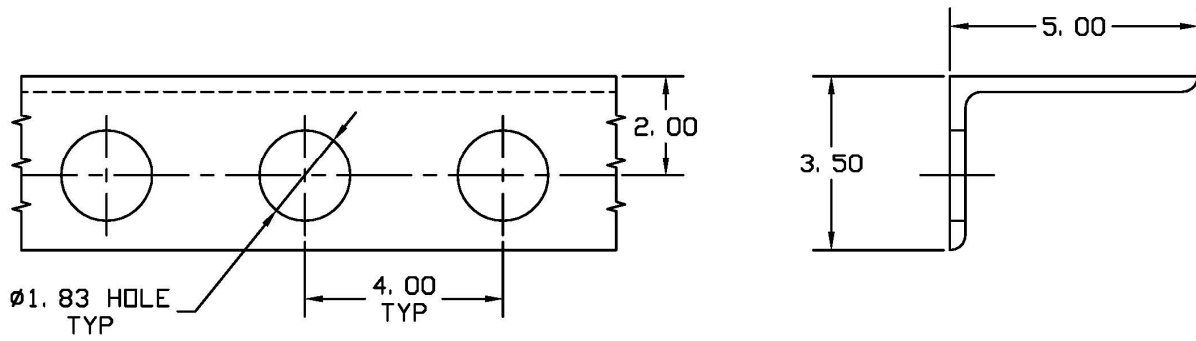
PART NO.	APPLICATION	COMMENTS
17331-XX*	11700 FLAT BED W/ OUTBOARD HOLD DOWNS	USE LOCATOR BAR 11642

*DASH NO. DETERMINED BY RAIL LENGTH

BODY RAIL IDENTIFICATION	ER: 2008118	REV: B	SHEET 6 OF 8
		DATE: 03/22/12	
	PROJ: 20089037	REV ER: 2012056	DRAWING NO. 25040

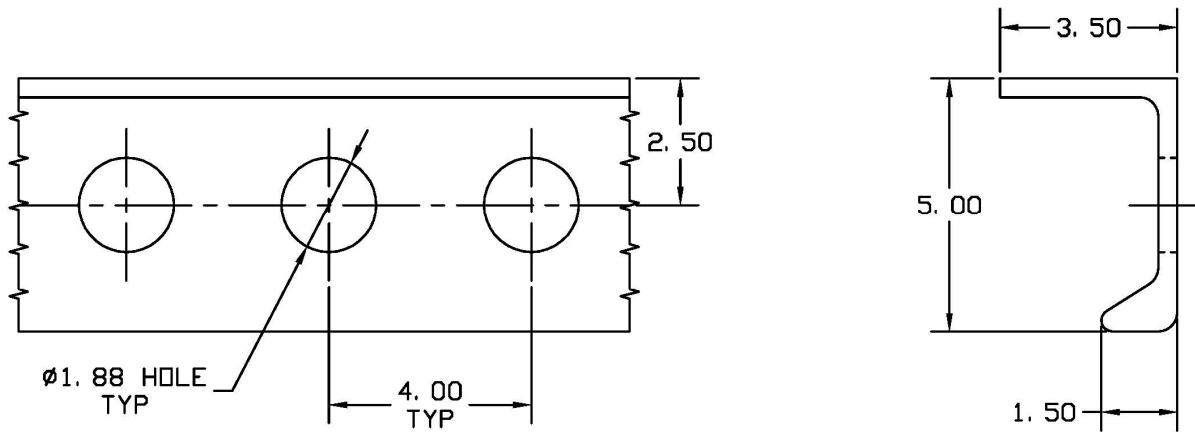
HUTCHENS INDUSTRIES INC.

BODY RAIL IDENTIFICATION



PART NO.	APPLICATION	COMMENTS
8178-XX*	8500	USE LOCATOR BAR 11641

*DASH NO. DETERMINED BY RAIL LENGTH

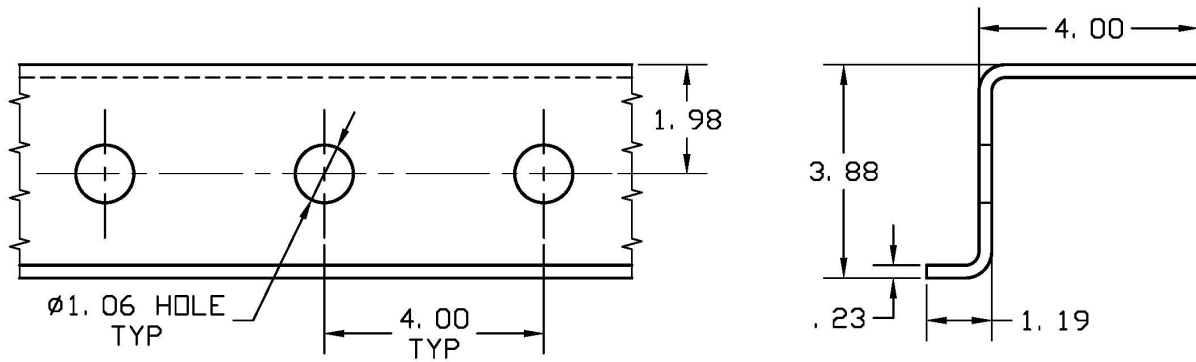


PART NO.	APPLICATION	COMMENTS
8407	8400	OBSOLETE

BODY RAIL IDENTIFICATION	ER: 2008118	REV: B	SHEET 7 OF 8
		DATE: 03/22/12	
	PROJ: 20089037	REV ER: 2012056	DRAWING NO. 25040

HUTCHENS INDUSTRIES INC.

BODY RAIL IDENTIFICATION



PART NO.	APPLICATION	COMMENTS
17156-XX*	T/M PRODUCED BOLT-IN FRAME	USE LOCATOR BAR 11642

*DASH NO. DETERMINED BY RAIL LENGTH

BODY RAIL IDENTIFICATION	ER: 2008118	REV: B	SHEET 8 OF 8
	PROJ: 20089037	DATE: 03/22/12	
	REV ER: 2012056	DRAWING NO. 25040	